

Your partner in inspection and quality control



*metal detector*

**MFN11 + CONVEYOR 60**





**PRISMA**

**metal detector**

**MFN11 + CONVEYOR 60**

## Equipment

- |   |  |
|---|--|
| • Digital electronics with alphanumeric graphic display                             | • Visualization of product image                                       |
| • 3 levels password access protection   | • Total printouts  |
| • Principle of operation: digital with bidimensional image                          | • Automatic balancing  |
| • Working multifrequency  | • Self-check function  |
| • 100 storable product programs   | • OK pcs. and rejects totalizer  |
| • 2 RS232 C serial ports  | • Report archive   |
| • Phase adjustment function   | • Date/Time function   |
| • Function and process alarm output   | • Automatic product compensation (Tracking)                            |
| • High immunity to environmental interferences                                      | • Adjustable speed   |
| • Positive fail safe  | • In conformity with ISO - FDA - HACCP - GMP regulations               |
| • Very high sensibility to all magnetic and not magnetic metals, stainless included | • Production data management in conformity with the standards in force |

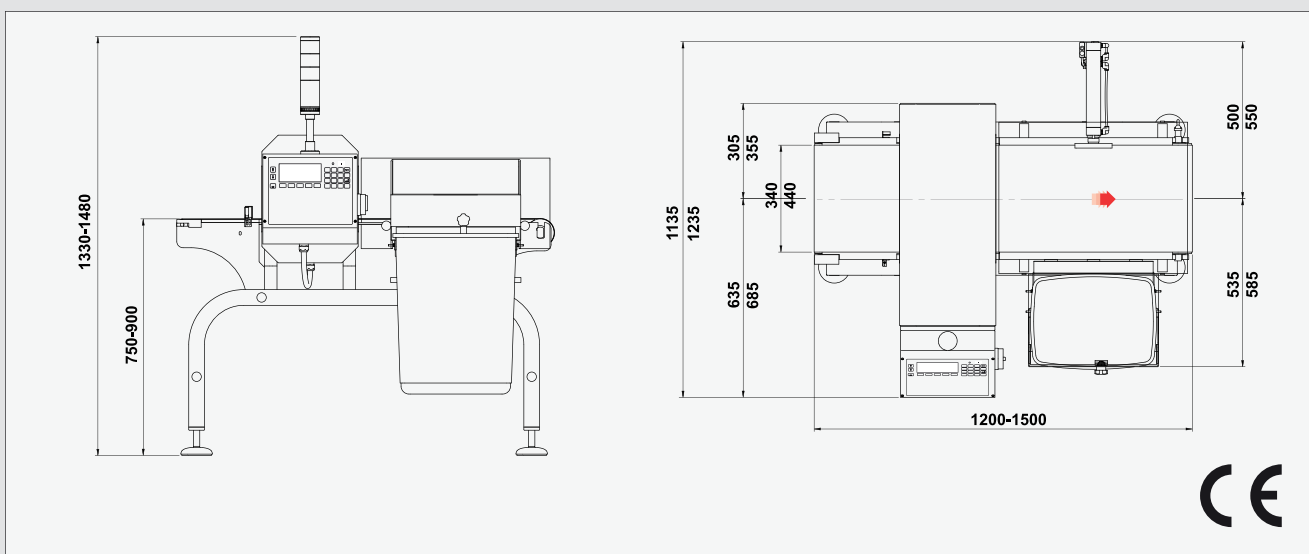
## Accessories

- |                                      |  |
|--------------------------------------|--|
| • Products programs memory expansion | • FAT/SAT, IQ/OQ validations                   |
| • Ethernet interface                 | • Ejection synchronism photocell               |
| • USB interface                      | • Ejection check photocell                     |
| • Preset for network connection      | • Separated electronic equipment               |
| • Reject management systems          | • Wheels                                       |
| • Signalling lamp                    | • Bin in stainless steel for rejected products |

## Technical Specifications

## MFN11 + Conveyor 60

Weighing range	from 0 up to 10000 g
Linear speed	up to 65 m/min
Pneumatic supply	0,6 Mpa
Power supply	230V 50/60Hz single phase
Power consumption	650 W
Mirror finishing of metal parts	Stainless Steel IP55 - IP65
Regulations	Conformity with CE regulations



© PRISMA INDUSTRIALE S.r.l. cod. B0034



**PRISMA INDUSTRIALE S.r.l.**

Via La Bionda, 17 - 43036 Fidenza - Parma - Italy • Tel. +39 0524 527270 - Fax +39 0524 524142  
www.prismaindustriale.com • info@prismaindustriale.com

Data appearing in this brochure may be modified without prior warning.  
The machine illustrated in this document is full options.